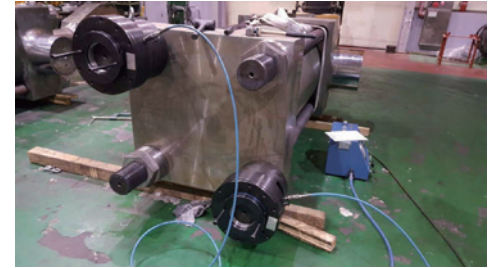


HIGH PRESSURE HYDRAULIC TOOLS

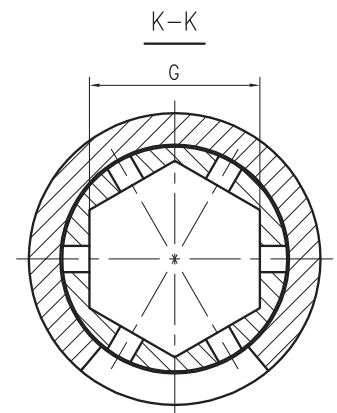
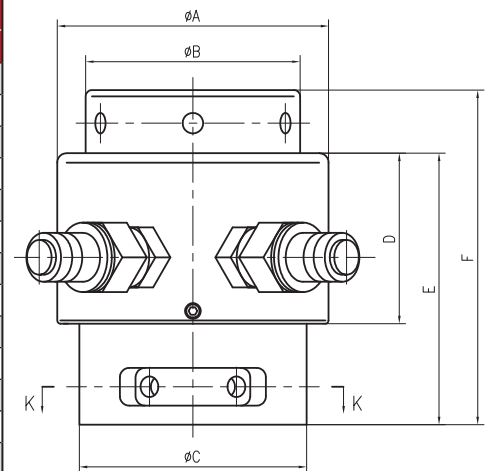
BHT-ST TOPSIDE BOLT TENSIONERS



- Compact Design with Low Weight
- Easy Mounting and Operation
- One Tensioner can be used for several bolts
- With Load Return and Spring Return Types
- Available for Customized Condition

Standard Models Selection

Model	Thread	Max. Force	Effectice Area	A	B	C	D	E	F	G	Stroke
		kn	mm ²								
BHT-ST1	M24	282	1885	86	68	68	54	83	103	37	8
	M27	282	1885	86	68	72	54	86	106	42	8
BHT-ST2	M24	452	3016	112	92	75	60	89	111	37	10
	M27	452	3016	112	92	75	60	92	114	42	10
	M30	452	3016	112	92	80	60	95	117	47	10
	M36	452	3016	112	92	90	60	101	123	56	10
BHT-ST3	M39	671	4477	134	107	95	65	101	126	51	10
	M42	671	4477	134	107	100	65	104	129	56	10
	M45	671	4477	134	107	105	65	107	132	61	10
	M48	671	4477	134	107	110	65	111	135	66	10
BHT-ST4	M39	1009	6730	152	114	112	65	107	129	61	10
	M42	1009	6730	152	114	115	65	110	132	66	10
	M45	1009	6730	152	114	120	65	113	135	71	10
	M48	1009	6730	152	114	125	65	116	138	76	10
BHT-ST5	M48	1009	6730	152	114	125	65	116	138	76	10
	M52	1538	10254	195	147	148	69	123	155	81	10
	M56	1538	10254	195	147	153	69	127	159	86	10
	M60	1538	10254	195	147	158	69	131	163	91	10
BHT-ST6	M64	1538	10254	195	147	163	69	135	167	96	10
	M68	1538	10254	195	147	168	69	139	171	101	10
	M72	2544	16965	255	194	191	78	156	196	106	12
	M76	2544	16965	255	194	196	78	160	200	111	12
BHT-ST7	M80	2544	16965	255	194	200	78	164	204	116	12
	M85	2544	16965	255	194	204	78	169	209	121	12
	M90	2544	16965	255	194	214	78	174	214	131	12
BHT-ST7	M90	3216	21441	280	213	225	82	175	209	131	12
	M95	3216	21441	280	213	235	82	180	214	136	12
	M100	3216	21441	280	213	245	82	186	220	146	12



If the standard bot tensioners can not be suitable for your working condition, please fill the form next page and our technical team will offer you a solution.